

1	CABINET	1	790 x 790 x 1800 x 1.6t
2	TURBO BLOWER	1	1.5kw x 25CMM x 230mmAq
3	HEPA FILTER	1	610 x 610 x 150t
4	VEE BAG FILTER	1	610 x 610 x 560 x 10P
5	PRE FILTER	1	610 x 610 x 30t
6	DRAIN	1	20A NIPPLE & BALL V/V
7	OUTLET FLANGE	1	Ø200
8	LIFT LUG	4	I-NUT M12
9	CONTROL PANEL	1	CONTROL SWITCH
10	POWER CABLE	1	V.C.T.F CABLE
11	INLET FLANGE	1	Ø150
12	CASTER	4	ROTATION 4' STOPPER

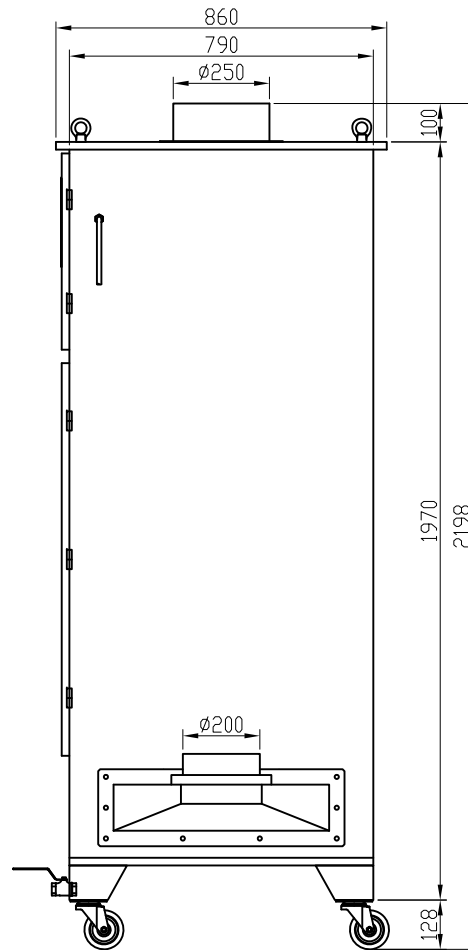
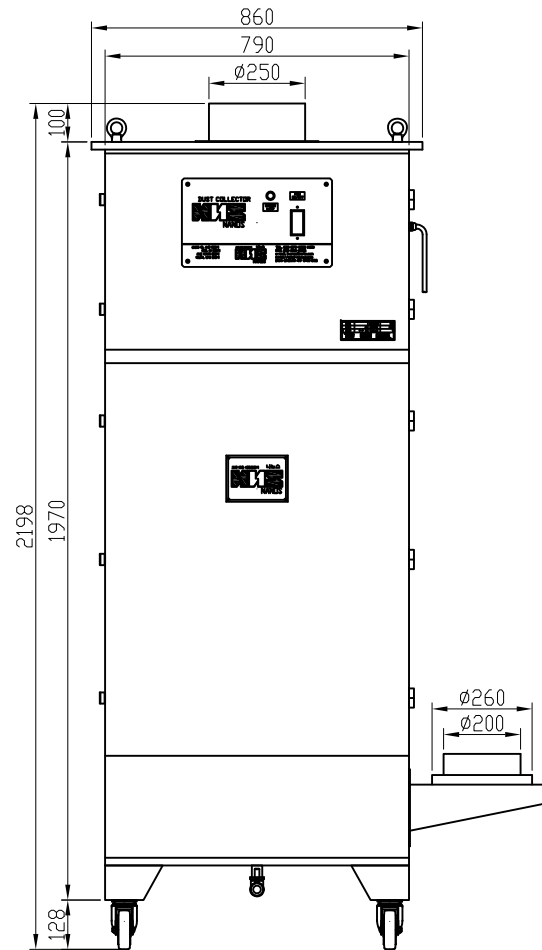
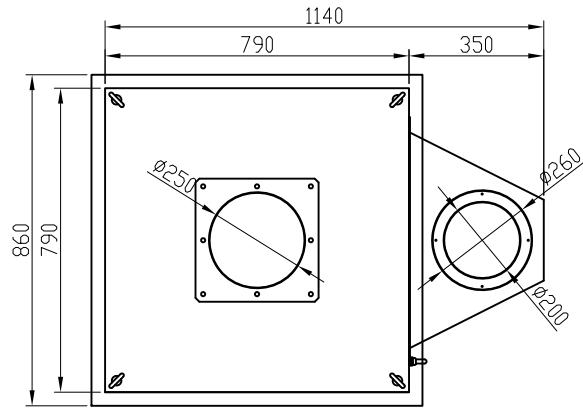
*** CHECK POINTS ***

A. ---

SPECIFICATION			
MODEL NAME	ND-20	OPTION	-
FAN SPEC.			
FAN DIVISION	TURBO BLOWER		
AIR VOLUME	25 CMM	STATIC	230 mmAq
MOTOR	1.5 kw [2 HP]	POWER	380V x 3P
FILTER SPEC.			
1ST	PRE FILTER	MATERIAL	POLYESTER
	SIZE 610 x 610 x 30t	AREA	-
2TH	VEE BAG FILTER	MATERIAL	SYNTHETIC
	SIZE 610 x 610 x 560 x 10P	AREA	-
3TH	HEPA FILTER	MATERIAL	GLASS
	SIZE 610 x 610 x 150t	AREA	-

*** PAINT COLOR ***
 BODY : EX8816(S) 5Y 7/1
 DOOR : EX8816-DIC546 1/2

 고객맞춤 대표 장비기 www.j-nanos.co.kr	SIZE	A3	CUSTOMER	-
	SCALE	1 / 1	TITLE	OIL MIST DUST COLLECTOR
	DRAWN	APPROVED	NANOS DWG. NO.	ND-20
	B.B.M	-		
	13.01.01	-		



1	CABINET	1	790 x 790 x 1970 x 1.6t
2	TURBO BLOWER	1	2.2kw x 40CMM x 230mmAq
3	HEPA FILTER	1	610 x 610 x 292t
4	VEE BAG FILTER	1	610 x 610 x 560 x 10P
5	PRE FILTER	1	610 x 610 x 30t
6	DRAIN	1	20A NIPPLE & BALL V/V
7	OUTLET FLANGE	1	φ250
8	LIFT LUG	4	I-NUT M12
9	CONTROL PANEL	1	CONTROL SWITCH
10	POWER CABLE	1	V.C.T.F CABLE
11	INLET FLANGE	1	φ200
12	CASTER	4	ROTATION 4' STOPPER

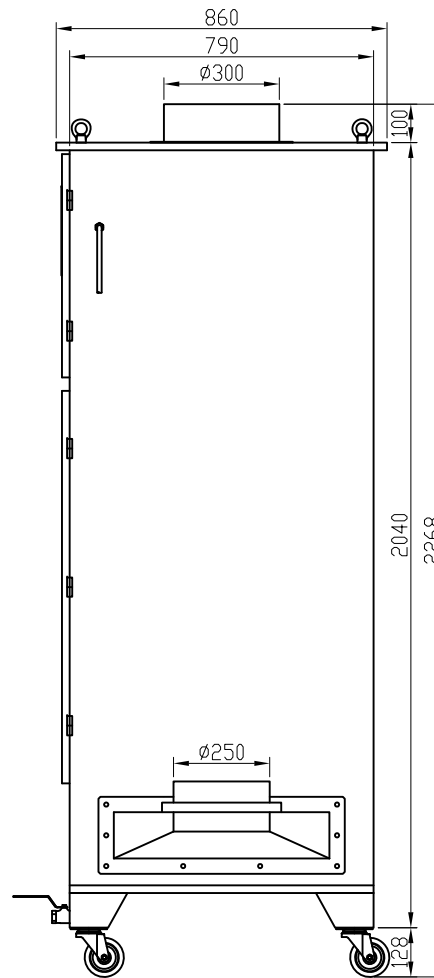
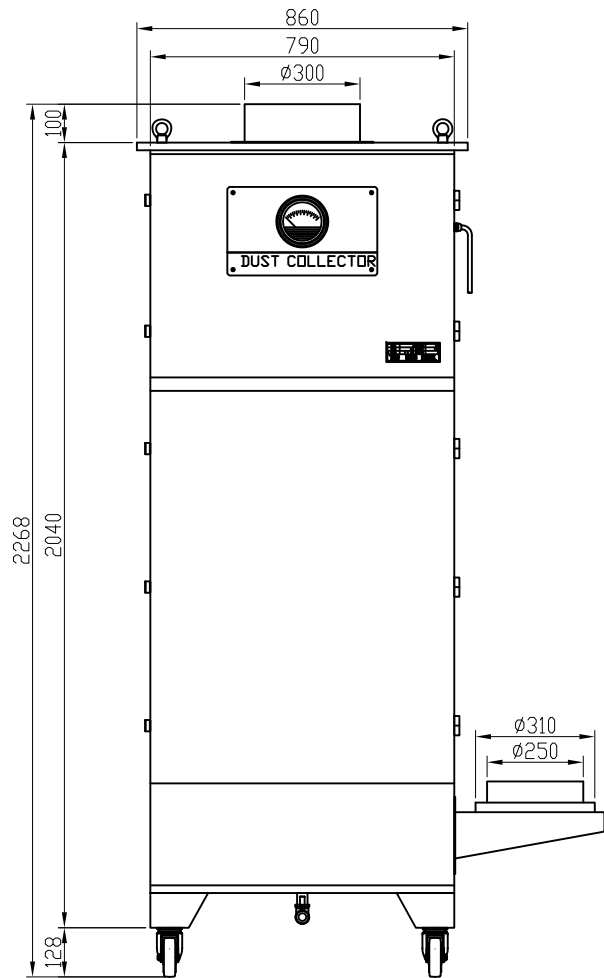
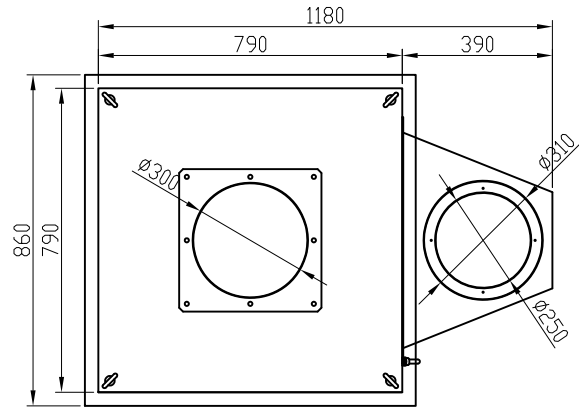
*** CHECK POINTS ***

A. ---

SPECIFICATION			
MODEL NAME	ND-30	OPTION	-
FAN SPEC.			
FAN DIVISION	TURBO BLOWER		
AIR VOLUME	40 CMM	STATIC	230 mmAq
MOTOR	2.2 kw [3 HP]	POWER	380V x 3P
FILTER SPEC.			
1ST	PRE FILTER	MATERIAL	POLYESTER
	SIZE	610 x 610 x 30t	AREA
2TH	VEE BAG FILTER	MATERIAL	SYNTHETIC
	SIZE	610 x 610 x 560 x 10P	AREA
3TH	HEPA FILTER	MATERIAL	GLASS
	SIZE	610 x 610 x 292t	AREA

*** PAINT COLOR ***
 BODY : EX8816(S) 5Y 7/1
 DOOR : EX8816-DIC546 1/2

 고객맞춤 대표 장비기 www.nanos.co.kr	SIZE	A3	CUSTOMER	-
	SCALE	1 / 1	TITLE	OIL MIST DUST COLLECTOR
	DRAWN	APPROVED	NANOS DWG. NO.	ND-30
	B.B.M	-		
	13.01.01			

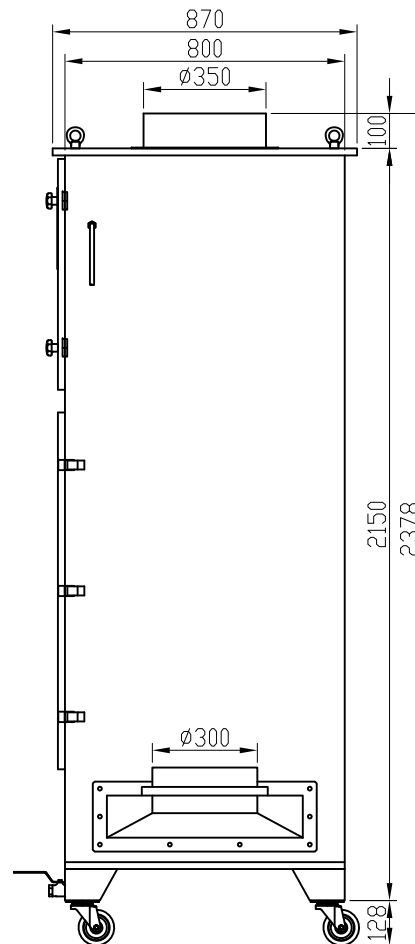
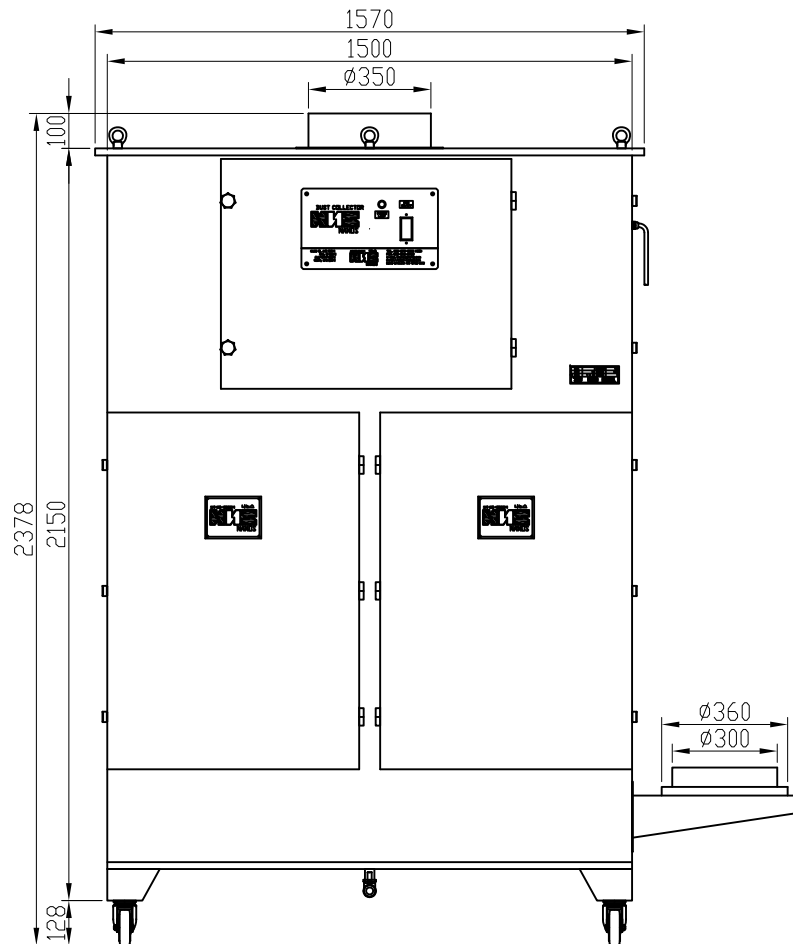
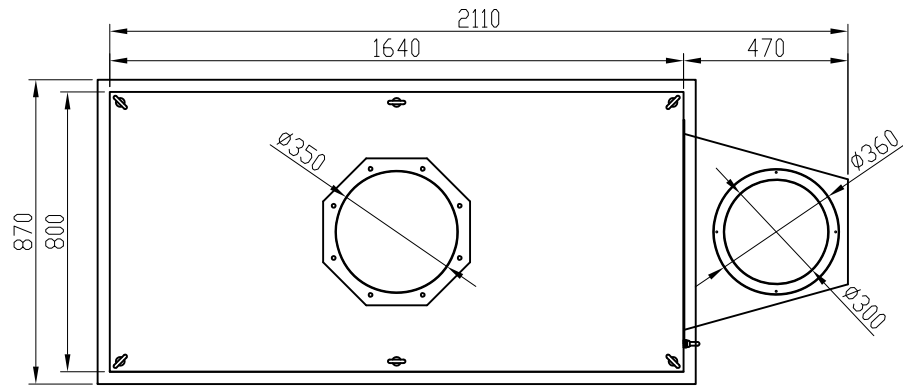


1	CABINET	1	790 x 790 x 2040 x 1.6t
2	TURBO BLOWER	1	3.7kw x 60CMM x 230mmAq
3	HEPA FILTER	1	610 x 610 x 292t
4	VEE BAG FILTER	1	610 x 610 x 560 x 10P
5	PRE FILTER	1	610 x 610 x 30t
6	DRAIN	1	20A NIPPLE & BALL V/V
7	OUTLET FLANGE	1	ø300
8	LIFT LUG	4	I-NUT M12
9	CONTROL PANEL	1	CONTROL SWITCH
10	POWER CABLE	1	V.C.T.F CABLE
11	INLET FLANGE	1	ø250
12	CASTER	4	ROTATION 4' STOPPER

SPECIFICATION			
MODEL NAME	ND-50	OPTION	-
FAN SPEC.			
FAN DIVISION	TURBO BLOWER		
AIR VOLUME	60 CMM	STATIC	230 mmAq
MOTOR	3.7 kw [5 HP]	POWER	380V x 3P
FILTER SPEC.			
1ST	PRE FILTER	MATERIAL	POLYESTER
	SIZE	610 x 610 x 30t	AREA
2TH	VEE BAG FILTER	MATERIAL	SYNTHETIC
	SIZE	610 x 610 x 560 x 10P	AREA
3TH	HEPA FILTER	MATERIAL	GLASS
	SIZE	610 x 610 x 292t	AREA

*** PAINT COLOR ***
 BODY : EX8816(S) 5Y 7/1
 DOOR : EX8816-DIC546 1/2

 고객맞춤 대표 장비기 www.nanos.co.kr	SIZE	A3	CUSTOMER	-
	SCALE	1 / 1	TITLE	OIL MIST DUST COLLECTOR
	DRAWN	APPROVED	NANOS DWG. NO.	ND-50
	B.B.M	-		
	13.01.01	-		



1	CABINET	1	1500 x 800 x 2150 x2.3t
2	TURBO BLOWER	1	5.5kw x 80CMM x 250mmAq
3	HEPA FILTER	2	610 x 610 x 292t
4	VEE BAG FILTER	2	610 x 610 x 560 x 10P
5	PRE FILTER	2	610 x 610 x 30t
6	DRAIN	1	20A NIPPLE & BALL V/V
7	OUTLET FLANGE	1	350
8	LIFT LUG	6	I-NUT M12
9	CONTROL PANEL	1	CONTROL SWITCH
10	POWER CABLE	1	V.C.T.F CABLE
11	INLET FLANGE	1	300
12	CASTER	4	ROTATION 4' STOPPER

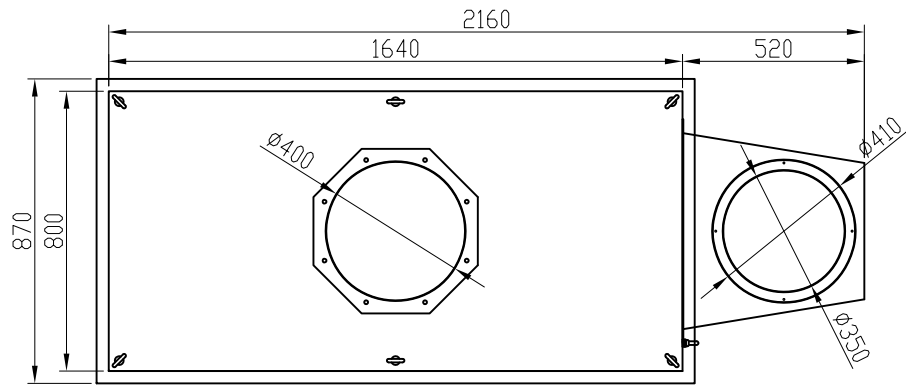
*** CHECK POINTS ***

A. ---

SPECIFICATION			
MODEL NAME	ND-75	OPTION	-
FAN SPEC.			
FAN DIVISION	TURBO BLOWER		
AIR VOLUME	80 CMM	STATIC	250 mmAq
MOTOR	5.5 kw [7.5 HP]	POWER	380V x 3P
FILTER SPEC.			
1ST	PRE FILTER	MATERIAL	POLYESTER
	SIZE	610 x 610 x 30t x 2EA	AREA
2TH	VEE BAG FILTER	MATERIAL	SYNTHETIC
	SIZE	610 x 610 x 560 x 10P x 2EA	AREA
3TH	HEPA FILTER	MATERIAL	GLASS
	SIZE	610 x 610 x 292t x 2EA	AREA

*** PAINT COLOR ***
 BODY : EX8816(S) 5Y 7/1
 DOOR : EX8816-DIC546 1/2

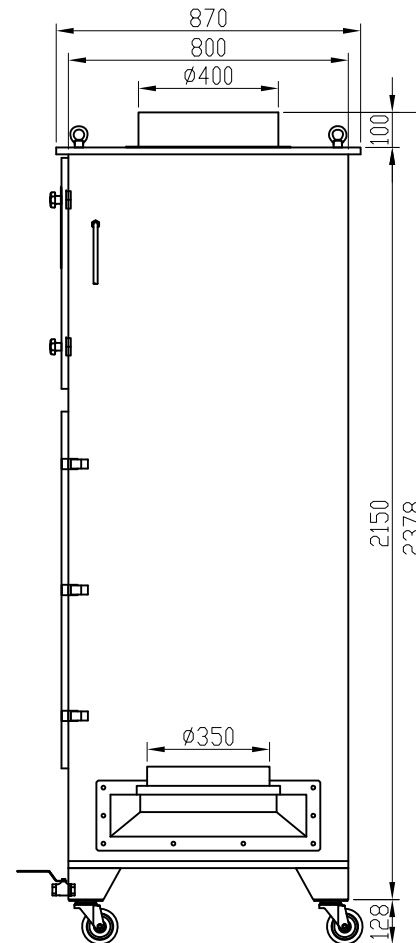
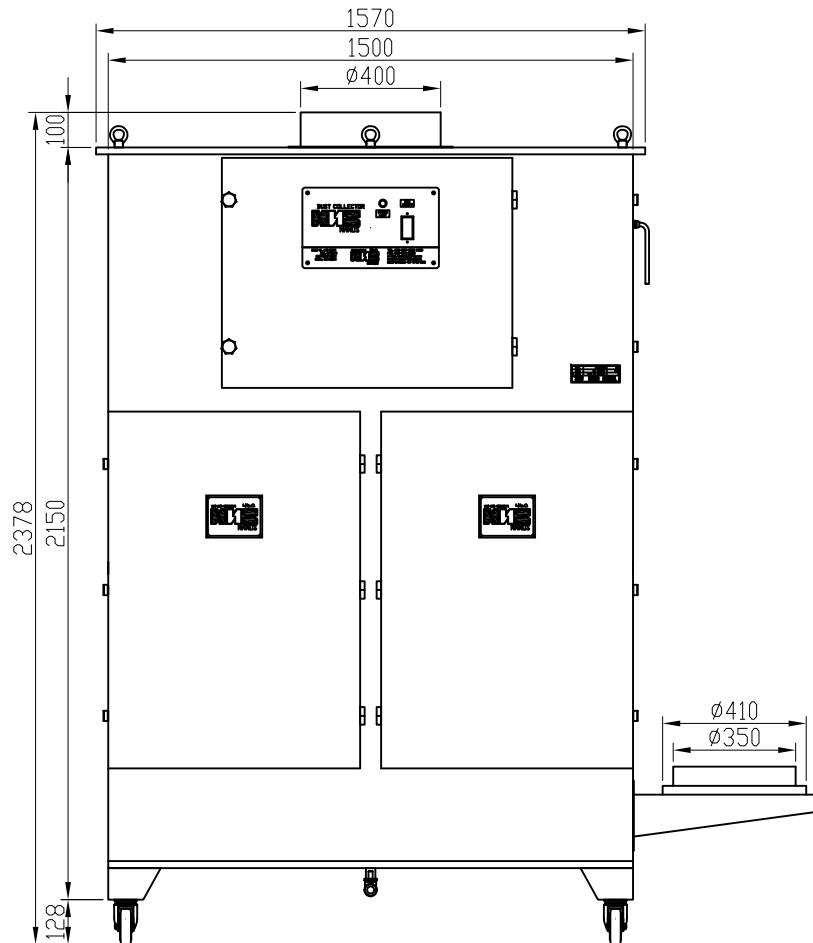
 고객맞춤 대표 장비기 www.nanos.co.kr	SIZE	A3	CUSTOMER	-
	SCALE	1 / 1	TITLE	OIL MIST DUST COLLECTOR
	DRAWN	APPROVED	NANOS DWG. NO.	NO-75
	B.B.M	-		
13.01.01	-			



1	CABINET	1	1500 x 800 x 2150 x2.3t
2	TURBO BLOWER	1	7.5kw x 100CMM x 250mmAq
3	HEPA FILTER	2	610 x 610 x 292t
4	VEE BAG FILTER	2	610 x 610 x 560 x 10P
5	PRE FILTER	2	610 x 610 x 30t
6	DRAIN	1	20A NIPPLE & BALL V/V
7	OUTLET FLANGE	1	Ø400
8	LIFT LUG	6	I-NUT M12
9	CONTROL PANEL	1	CONTROL SWITCH
10	POWER CABLE	1	V.C.T.F CABLE
11	INLET FLANGE	1	Ø350
12	CASTER	4	ROTATION 4' STOPPER

*** CHECK POINTS ***

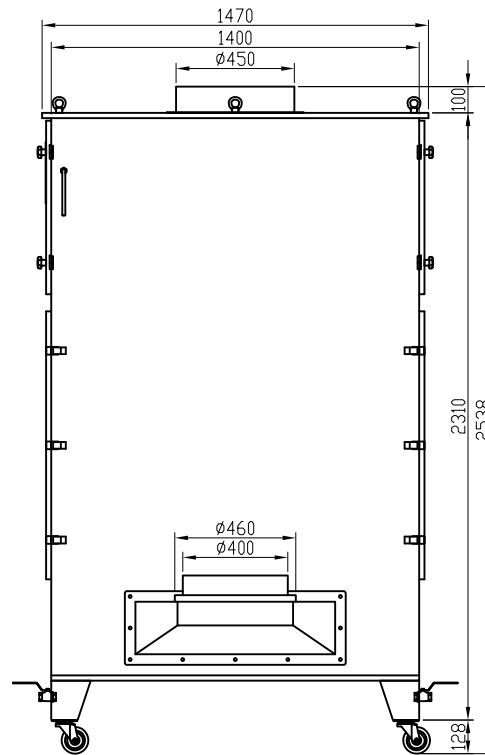
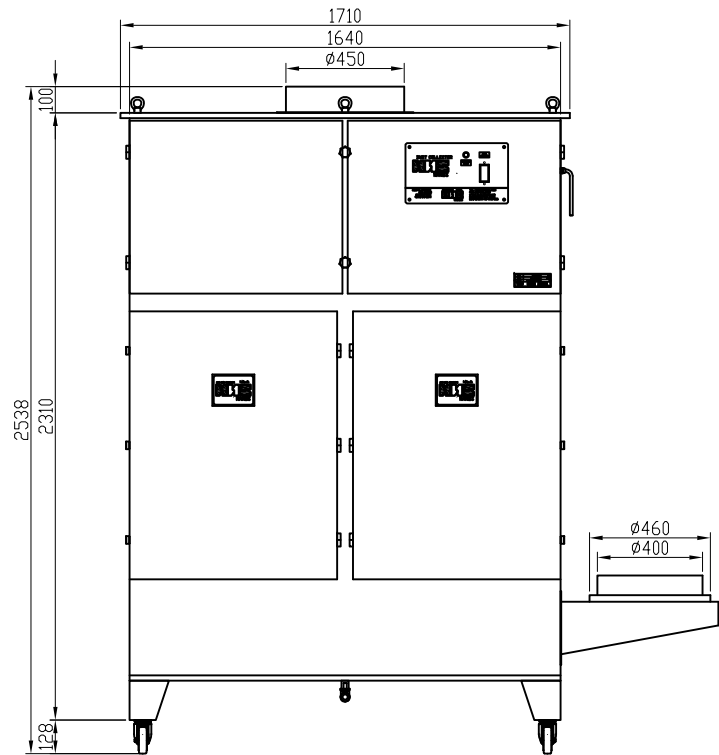
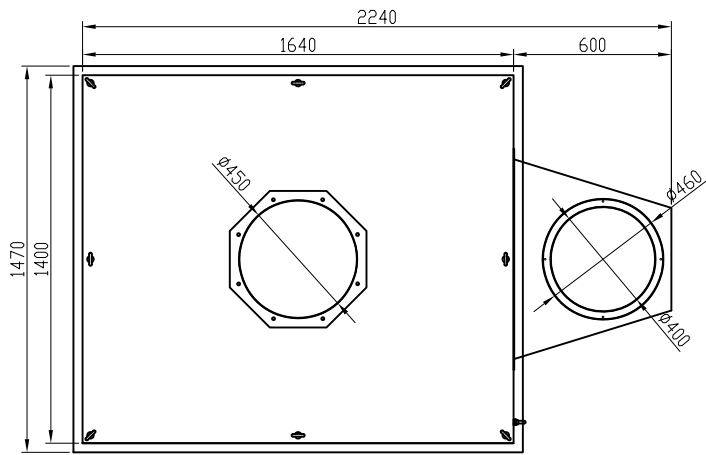
A. ---



SPECIFICATION			
MODEL NAME	NO-100	OPTION	-
FAN SPEC.			
FAN DIVISION	TURBO BLOWER		
AIR VOLUME	100 CMM	STATIC	250 mmAq
MOTOR	7.5 kw [10 HP]	POWER	380V x 3P
FILTER SPEC.			
1ST	PRE FILTER	MATERIAL	POLYESTER
	SIZE	610 x 610 x 30t x 2EA	AREA
2TH	VEE BAG FILTER	MATERIAL	SYNTHETIC
	SIZE	610 x 610 x 560 x 10P x 2EA	AREA
3TH	HEPA FILTER	MATERIAL	GLASS
	SIZE	610 x 610 x 292t x 2EA	AREA

*** PAINT COLOR ***
 BODY : EX8816(S) 5Y 7/1
 DOOR : EX8816-DIC546 1/2

 고객맞춤 대표 장비기 www.nanos.co.kr	SIZE	A3	CUSTOMER	-
	SCALE	1 / 1	TITLE	DIL MIST DUST COLLECTOR
	DRAWN	APPROVED	NANOS DWG. NO.	NO-100
	B.B.M	-		
13.01.01	-			



1	CABINET	1	1640 x 1400 x 2310 x2.3t
2	TURBO BLOWER	2	5.5kw x 80CMM x 250mmAq
3	HEPA FILTER	4	610 x 610 x 292t
4	VEE BAG FILTER	4	610 x 610 x 560 x 10P
5	PRE FILTER	4	610 x 610 x 30t
6	DRAIN	2	20A NIPPLE & BALL V/V
7	OUTLET FLANGE	1	φ450
8	LIFT LUG	8	I-NUT M12
9	CONTROL PANEL	1	CONTROL SWITCH
10	POWER CABLE	1	V.C.T.F CABLE
11	INLET FLANGE	1	φ400
12	CASTER	4	ROTATION 4' STOPPER

*** CHECK POINTS ***

A, ---

SPECIFICATION			
MODEL NAME	ND-150	OPTION	-
FAN SPEC.			
FAN DIVISION	TURBO BLOWER		
AIR VOLUME	160 CMM	STATIC	250 mmAq
MOTOR	5.5 kw [7.5 HP] x 2EA	POWER	380V x 3P
FILTER SPEC.			
1ST	PRE FILTER	MATERIAL	POLYESTER
	SIZE	610 x 610 x 30t x 4EA	AREA
2TH	VEE BAG FILTER	MATERIAL	SYNTHETIC
	SIZE	610 x 610 x 560 x 10P x 4EA	AREA
3TH	HEPA FILTER	MATERIAL	GLASS
	SIZE	610 x 610 x 292t x 4EA	AREA

*** PAINT COLOR ***
 BODY : EX8816(S) 5Y 7/1
 DOOR : EX8816-DIC546 1/2

 고객맞춤 대표 장비기 www-nanos.co.kr	SIZE	A3	CUSTOMER	-
	SCALE	1 / 1	TITLE	OIL MIST DUST COLLECTOR
	DRAWN	APPROVED	NANOS DWG. NO.	ND-150
	B.B.M	-		
	13.01.01	-		